

 **CHIEF**[®]

MADSEN
GROUP LLC

PROJECTOR SOLUTIONS

selection guide



Chief sets the industry standard with RPA[®] and RPA Elite[®] projector mounts with exclusive features that save time and money on installations. Industry-first features like MicroZone[™] micro-adjustments provide perfect projector registration, while smartly designed lamp and filter access makes maintaining projectors quick and easy.

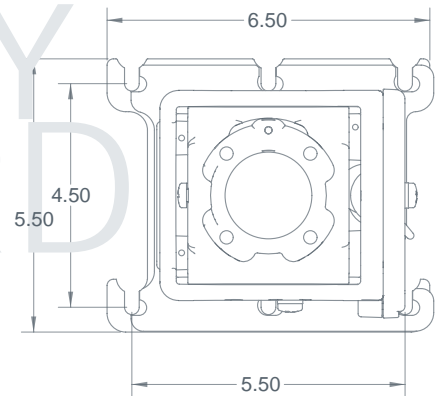
www.chiefmfg.com



THE INDUSTRY STANDARD

RPA and RPA Elite Projector Mounts

Our mounts have exclusive features that save time and money on every installation. Chief has set a new standard in what a projector mount should be.



FEATURES

- n Industry-first independent roll, pitch and yaw adjustments
- n Compatible with a wide array of accessories
- n Ships fully assembled with everything you need for installation
- n Available in Custom (black) or Universal (black, silver, white) models
- n Mini versions are now available for smaller projector models



n NEW UNIVERSAL INTERFACE

Our all-new Universal Interface makes installation and maintenance even faster and is available on all RPA and RPA Elite projector models.

- Requires only 35% of the hardware vs. other universal models
- Easy installation in 3 steps
- Quick disconnection at two sites (bracket from ceiling, and bracket from projector for lamp and filter access)



CEILING MOUNTS

Standard Projector Mounts

(up to 50 lbs, 22.7 kg)

RPM

Industry-standard RPA and RPA Elite (RPM Series) projector mounts were designed for fast installation and easy lamp and filter access. They are the first micro-adjustable projector mounts on the market, allowing installers to quickly fine-tune registration.



RPA

Smaller Projector Mounts "The Minis"

(up to 25 lbs, 11.3 kg)

RSM

Ideal for smaller projector models, the miniature versions of the RPA and RPA Elite Projector Mounts include all the same great features as their predecessors, in almost half the size.



RSA

FEATURES (RPA Elite)

- 1 **MICROZONE™ ADJUSTMENTS**
Makes projector registration fast and precise (including flush-mount installations).
- 2 **CENTRIS® TECHNOLOGY**
Enables effortless fingertip positioning and self-adjusts to support different projector weights.
- 3 **Q-LOCK™ QUICK RELEASE LEVER**
Provides quick connect/disconnect of the projector for service and enhanced security with an integrated key and lock system.



SPECIFICATIONS

Model	Roll	Pitch	Yaw	Weight Capacity	Color (Custom / Universal)
RPMA	±3°	±20°	360°	50 lbs (22.7 kg)	<input type="checkbox"/> <input type="checkbox"/> <input type="checkbox"/>
RPA	±4°	±25°	360°	50 lbs (22.7 kg)	<input type="checkbox"/> <input type="checkbox"/> <input type="checkbox"/>
RSMA	±3°	±15°	360°	25 lbs (11.3 kg)	<input type="checkbox"/> <input type="checkbox"/> <input type="checkbox"/>
RSA	±3°	±20°	360°	25 lbs (11.3 kg)	<input type="checkbox"/> <input type="checkbox"/> <input type="checkbox"/>

RPA SERIES ◊ THE INDUSTRY STANDARD

Larger, Heavy-Duty Projector Mounts

(up to 250 lbs, 113.4 kg)

VCM



Motorized Projector Mounts

(up to 30 lbs, 13.6 kg)
(up to 35 lbs, 15.9 kg)

SL220
SL236



Advanced Security Mounts

(up to 50 lbs, 22.7 kg)

RPMA1
RPAA1



SPECIFICATIONS

Model	Roll	Pitch	Yaw	Weight Capacity	Extension	Color
VCM	±5°	±20°	360°	250 lbs (113.4 kg)	–	<input type="checkbox"/>
RPMA1	±3°	±20°	360°	50 lbs (22.7 kg)	–	<input type="checkbox"/>
RPAA1	±4°	±25°	360°	50 lbs (22.7 kg)	–	<input type="checkbox"/>
SL220	varies (see projector mount specifications)			30 lbs (13.6 kg)	8.5" (216 mm)	<input type="checkbox"/>
SL236	±2°	±15°	±10°	35 lbs (15.9 kg)	36" (914 mm)	<input type="checkbox"/>



WWW.MOUNTBUILDER.COM

Configure a custom ceiling installation with MountBuilder – Chief's exclusive online product configurator.

- View configurations as you build
- Auto-calculates drop distance and weight capacity
- Print a PDF list



PROJECTOR SOLUTIONS

SELECTION GUIDE

WALL MOUNTS

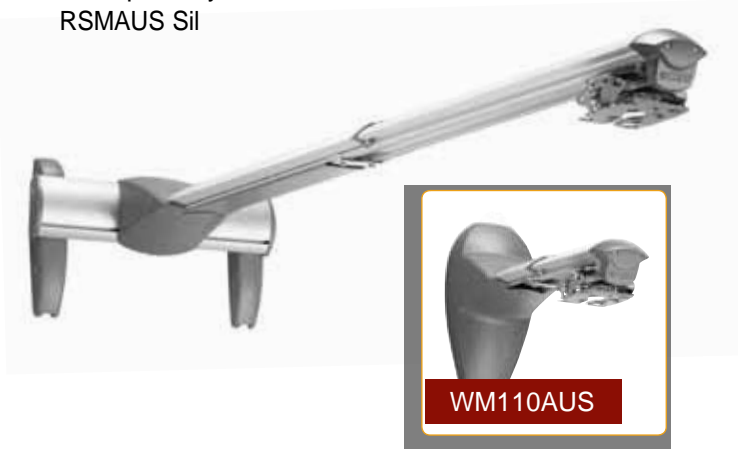
Short Throw Wall Mounts

(up to 50 lbs, 22.7 kg)

WM230AUS

Available in single- or dual-stud designs, our Short Throw Wall Mounts provide unparalleled flexibility, precision and strength. Get ideal placement and alignment with exclusive features that provide fast and secure installations.

Order separately, or as a kit that includes RSMAUS Sil

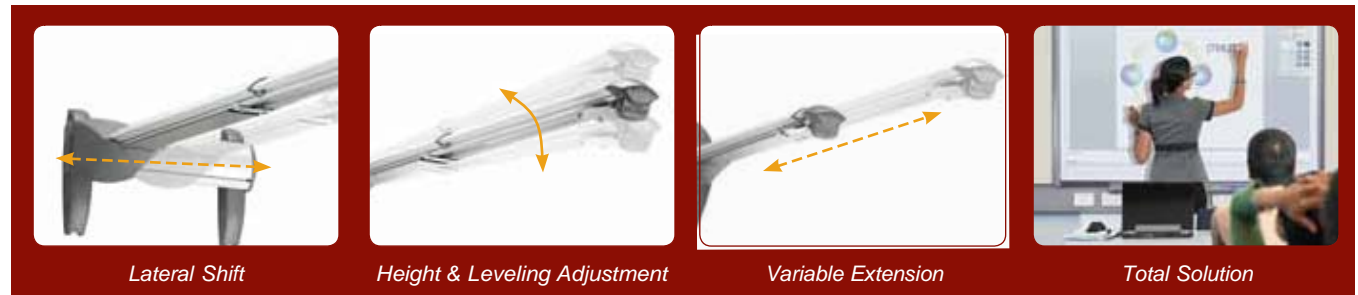


Whiteboard Mount

(up to 70 lbs, 31.7 kg)

WBMUS

Use our WBMUS Whiteboard Mount for mounting a whiteboard on the wall or over an existing chalkboard. Use a short throw wall mount for a complete front projection system.



Lateral Shift

Height & Leveling Adjustment

Variable Extension

Total Solution

SPECIFICATIONS

Model	Extension	Pitch	Lateral Shift	Weight Capacity	Color
WM210S™ Dual Stud Wall Arm	0 - 18" (0 - 457 mm)	±3	13" (330 mm)	50 lbs (22.7 kg)	☐
WM110S™ Single Stud Wall Arm	0 - 18" (0 - 457 mm)	±3	-	50 lbs (22.7 kg)	☐
WM220S™ Dual Stud Wall Arm	18 - 30" (457 - 762 mm)	±3	13" (330 mm)	25 lbs (11.3 kg)	☐
WM120S™ Single Stud Wall Arm	18 - 30" (457 - 762 mm)	±3	-	25 lbs (11.3 kg)	☐
WM230S Dual Stud Wall Arm	30 - 54" (76.2 - 137.2 cm)	±3	13" (330 mm)	25 lbs (11.3 kg)	☐
WM130S Single Stud Wall Arm	30 - 54" (76.2 - 137.2 cm)	±3	-	25 lbs (11.3 kg)	☐



PROJECTOR SOLUTIONS SELECTION GUIDE

ACCESSORIES

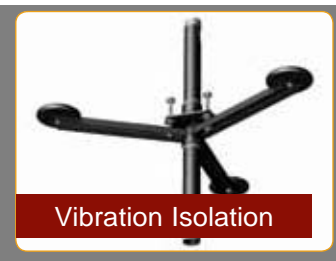
We have a full line of mount accessories that integrate quickly and easily with our mounts. Design a custom system with one or more of our innovative accessory options.



Structural Adapters



Extension Columns



Vibration Isolation



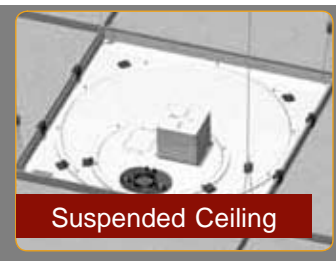
Lateral Shift



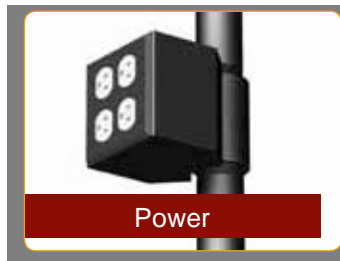
Ceiling Plates



Security



Suspended Ceiling



Power



CHIEF
CERTIFIED PARTNER

drive
YOUR SUCCESS

CEDIA
Professional Certification
CEU Provider

infoComm
INTERNATIONAL
CTS PROGRAM RENEWAL UNIT PROVIDER

RU

For more information on these and other products from Chief, the industry leader in AV mounting solutions, visit www.chiefmfg.com.

end-userfocused

fasterinstallation

superiorservice

provenquality



MADSEN GROUP LLC,
FARMINGTON, CONNECTICUT
SOUTHWICK, MASSACHUSETTS
www.LCDERGO.com
phone: 860-677-7190 or 413-348-9517